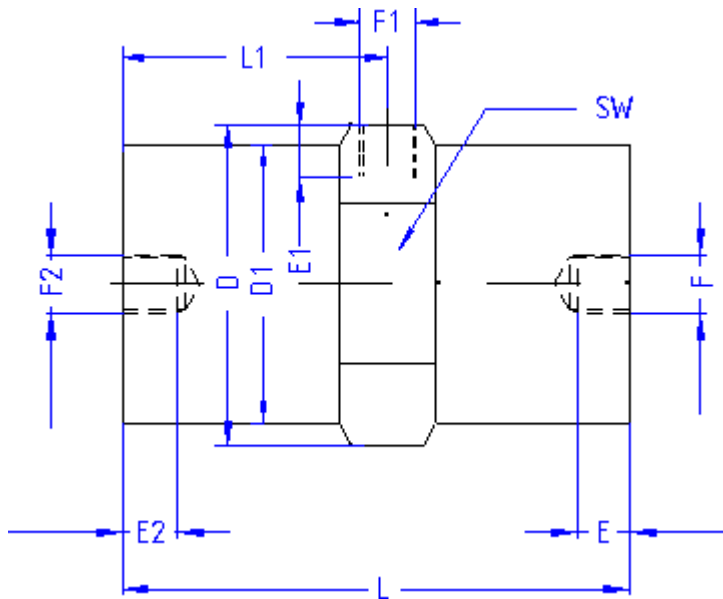


VFP Series Piston Vibrator

Specifications / VFP-12 to VFP-35
Available in Small, Medium & Large amplitudes



Construction:

- 1 - Hard anodized aluminum alloy body
- 2 - Leaded bronze piston
- 3 - Starter spring
- 4 - Air inlet
- 5 - Sound absorbing exhaust system
- 6 - Hard anodized aluminum alloy socket
- 7 - Threaded base for mounting
- 8 - Hard anodized aluminum alloy end cap
- 9 - Air outlet

Dimensions in mm:

Model	D	D1	L	L1	E	E1	E2	F	F1	F2	SW
VFP-12-S	37	31	71	33.5	11	7	11	G 1/8"	G 1/8"	M 8	34
VFP-12-M			81	40.5							
VFP-12-L			94	47.0							
VFP-18-S	45	40	81	40.5	11	7	13	G 1/8"	G 1/8"	M 10	42
VFP-18-M			94	47.0							
VFP-18-L			109	54.5							
VFP-25-S	53.5	48	98	41.5	11	7	15	G 1/8"	G 1/8"	M 12	50
VFP-25-M			116	60.5							
VFP-25-L			136	70.5							
VFP-35-S	69	58	98	41.5	11	9	15	G 1/4"	G 1/4"	M 12	65
VFP-35-M			116	60.5							
VFP-35-L			136	70.5							

Model	Weight of Body		Weight of Piston		Total Weight	
	kg	Lbs	kg	Lbs	kg	Lbs
VFP-12-S	0.125	0.275	0.020	0.045	0.145	0.320
VFP-12-M	0.140	0.309	0.030	0.066	0.170	0.375
VFP-12-L	0.165	0.360	0.040	0.090	0.205	0.450
VFP-18-S	0.220	0.485	0.060	0.135	0.280	0.620
VFP-18-M	0.260	0.575	0.080	0.175	0.340	0.750

VFP-18-L	0.300	0.660	0.110	0.240	0.410	0.900
VFP-25-S	0.375	0.825	0.155	0.345	0.530	1.170
VFP-25-M	0.435	0.955	0.215	0.475	0.650	1.430
VFP-25-L	0.500	1.100	0.290	0.640	0.790	1.740
VFP-35-S	0.530	1.170	0.315	0.690	0.845	1.860
VFP-35-M	0.610	1.345	0.430	0.950	1.040	2.290
VFP-35-L	0.700	1.540	0.580	1.280	1.280	2.820

Performance:

Model	Frequency V.P.M. x 1000			Linear force measured					
	2 Bar 29 PSI	4 Bar 58 PSI	6 Bar 87 PSI	2 Bar N	29 PSI LBS	4 Bar N	58 PSI LBS	6 Bar N	87 PSI LBS
VFP-12-S	6.2	7.8	9.3	34	7.7	70	16	92	21
VFP-12-M	5.0	6.0	6.7	34	7.7	58	13	74	17
VFP-12-L	4.0	4.8	5.4	32	7.2	58	13	81	18
VFP-18-S	5.0	6.4	7.7	66	15.0	134	30	187	42
VFP-18-M	4.0	5.0	5.9	68	15.0	134	30	188	42
VFP-18-L	3.1	4.0	4.6	64	14.0	150	34	206	46
VFP-25-S	3.6	4.3	5.5	126	28	270	61	416	94
VFP-25-M	3.0	3.8	4.2	142	32	364	82	504	113
VFP-25-L	2.4	3.1	3.7	186	42	392	88	594	134
VFP-35-S	3.8	4.7	5.8	294	66	668	150	1.038	234
VFP-35-M	3.0	4.0	4.6	248	56	778	175	1.080	243
VFP-35-L	2.4	3.1	3.6	282	63	680	153	1.066	240

Model	Air consumption / Minute						Notice level	
	2 Bar Ltr.	29 PSI CF	4 Bar Ltr.	58 PSI CF	6 Bar Ltr.	87 PSI CF	dBA*	dBA**
VFP-12-S	0.8	0.03	7.5	0.26	25	0.88	57-61	
VFP-12-M	0.5	0.02	4.0	0.14	19	0.67	57-61	
VFP-12-L	1.0	0.04	3.0	0.11	20	0.71	58-60	
VFP-18-S	5.0	0.18	33.0	1.16	57	2.00	62-71	
VFP-18-M	4.0	0.14	28.0	1.00	52	1.84	61-67	
VFP-18-L	5.0	0.18	23.0	0.81	46	1.62	61-68	
VFP-25-S	13	0.46	54	1.91	93	3.28	70-75	61-67
VFP-25-M	23	0.81	50	1.76	87	3.07	73-75	62-66
VFP-25-L	18	0.64	62	2.19	93	3.28	72-75	60-65
VFP-35-S	23	0.81	101	3.56	162	5.72	72-77	71-73
VFP-35-M	24	0.85	83	2.93	141	4.98	74-78	70-73
VFP-35-L	38	1.34	89	3.14	135	4.77	74-80	68-74

* Data obtained with a Kistler 3-axis dynamometer on a heavy laboratory test block and displayed by Kistler control monitor (COMO). Frequency and force will decrease on a less rigid mount. Specifications subject to change without notice or obligation.